

CONSULTANT:

SEAL:

CLIENT:



CLIENT REF. #
PROJECT:

WATERMAIN LOOPING

KEY PLAN:

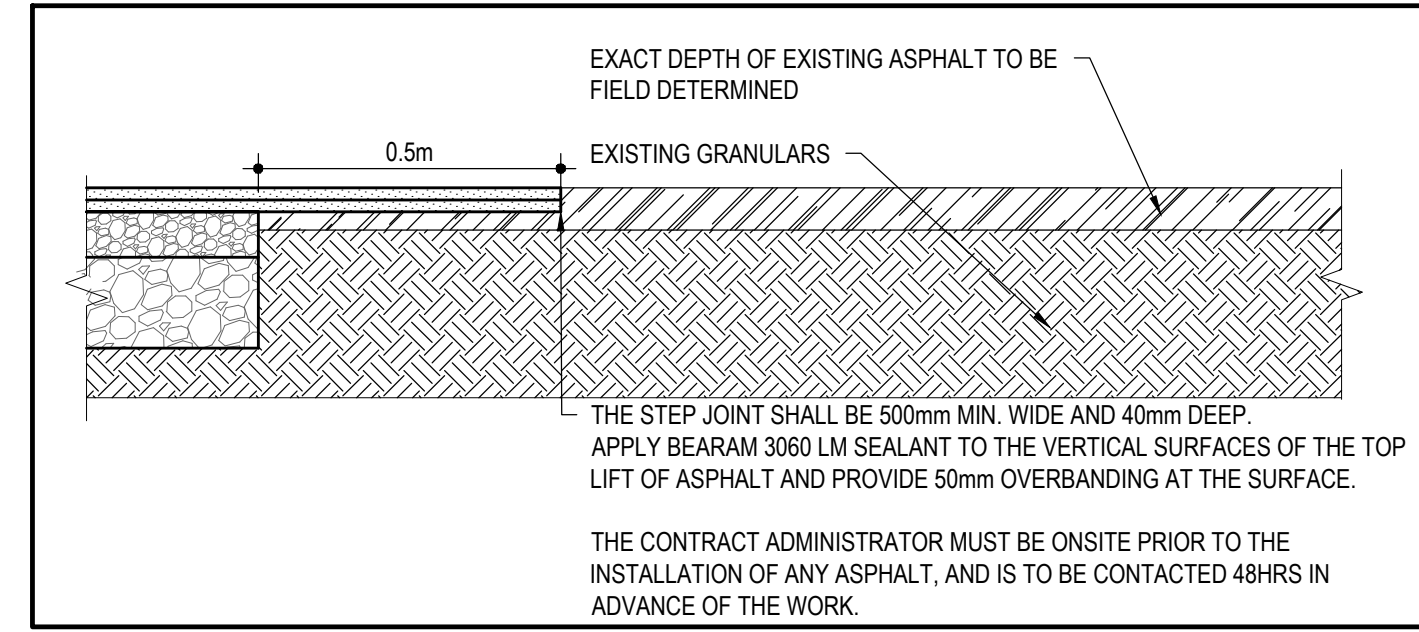
DISCLAIMER: THIS DRAWING AND DESIGN IS COPYRIGHT PROTECTED WHICH SHALL NOT BE REPRODUCED OR REVISED WITHOUT WRITTEN PERMISSION BY WSP. THE CONTRACTOR SHALL CHECK AND VERIFY ALL DIMENSIONS AND UTILITY LOCATIONS AND REPORT ALL ERRORS AND OMISSIONS PRIOR TO COMMENCING WORK. THIS DRAWING IS NOT TO BE SCALED.

ISSUED FOR - REVISION:

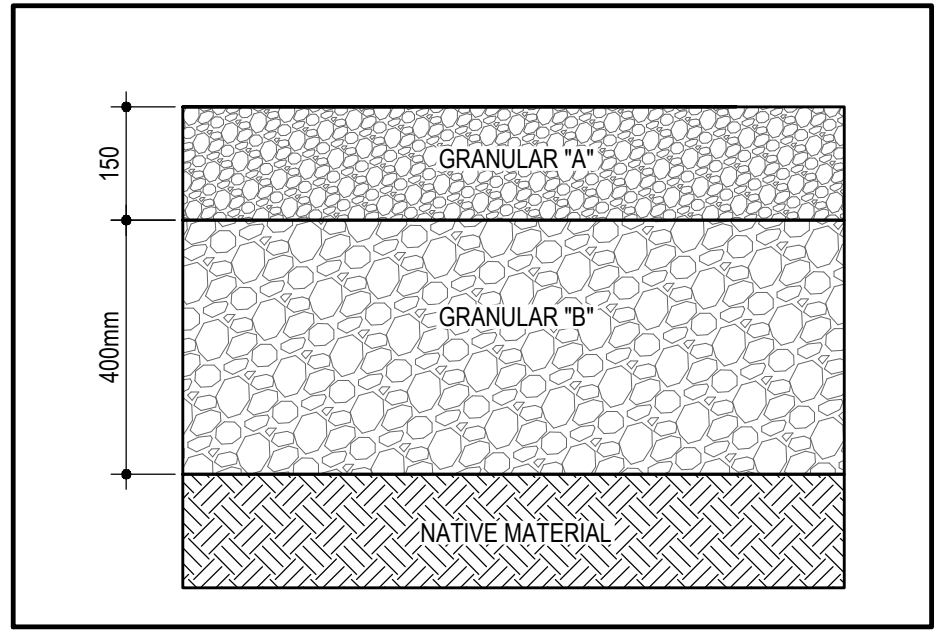
IS	RE	DATE	DESCRIPTION
3	04/19/2018		REVIEW
2	04/16/2018		RE-ISSUED FOR ADDENDUM #2
1	04/03/2018		RE-ISSUED FOR ADDENDUM #1
1	03/23/2018		ISSUED FOR TENDER

PROJECT NO:	121-20565-00	DATE:	03/23/2018
ORIGINAL SCALE:	AS SHOWN	IF THIS BAR IS NOT 25mm LONG, ADJUST YOUR PLOTTING SCALE.	
DESIGNED BY:	MMIC	CHECKED BY:	MF
DRAWN BY:	DY	DISCIPLINE:	CIVIL
TITLE:	DETAILS AND OPSD's		

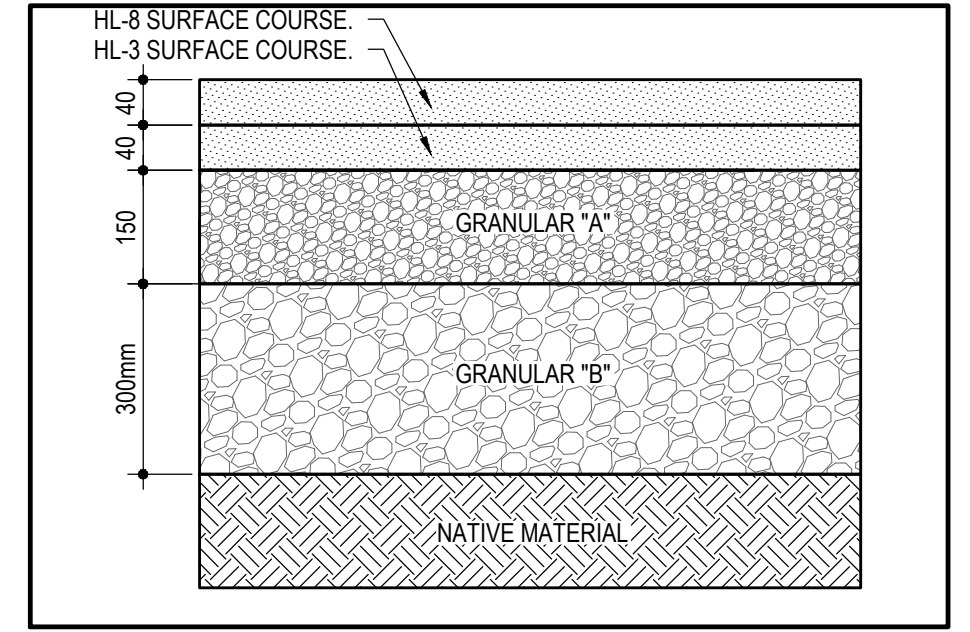
SHEET NUMBER:	C1.12
SHEET #:	12 OF 12
ISSUE:	REVIEW
DATE OF:	04/19/2018



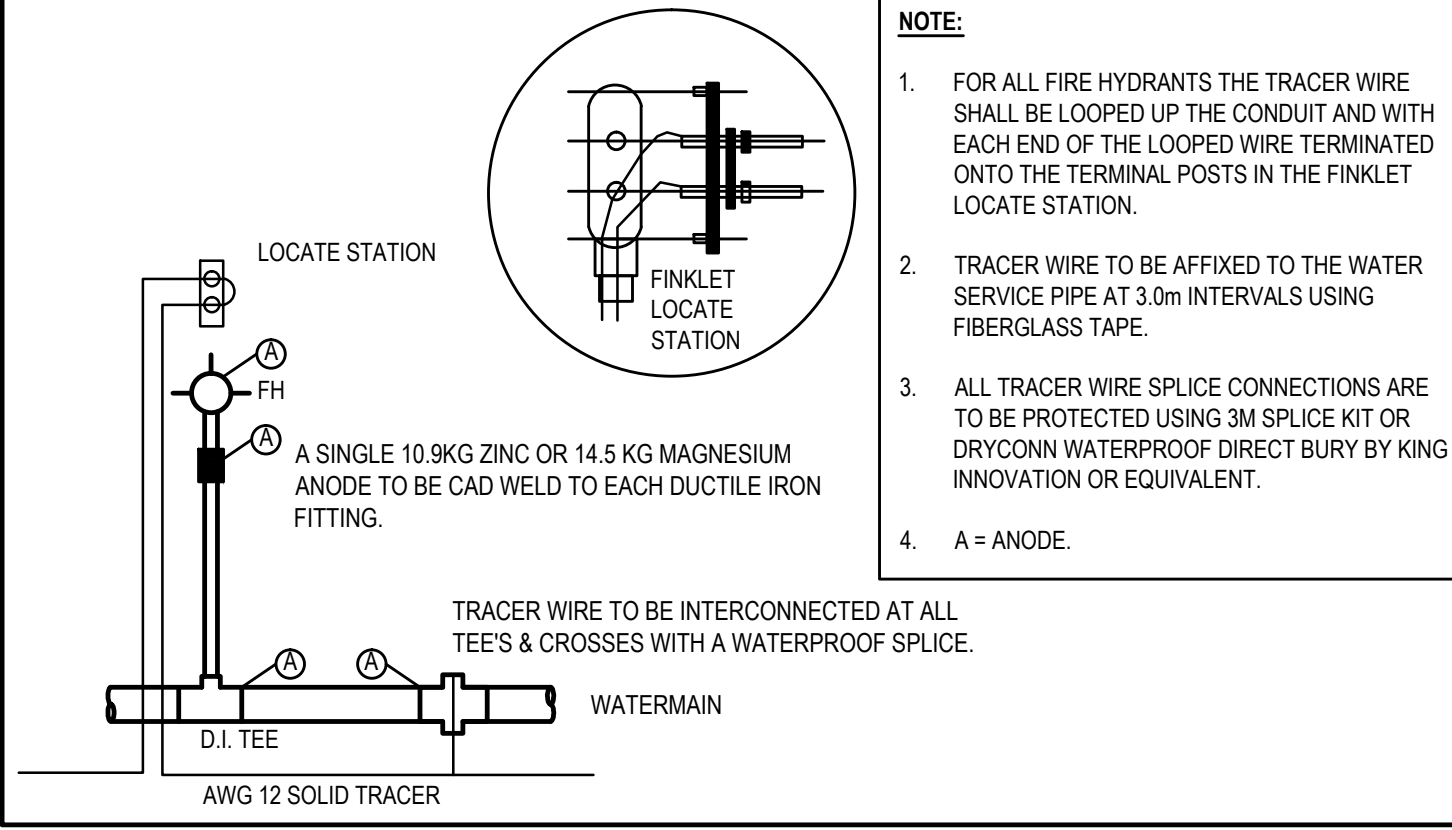
5 TYPICAL STEP CONNECTION DETAIL TO EXISTING ASPHALT
SCALE: N.T.S.



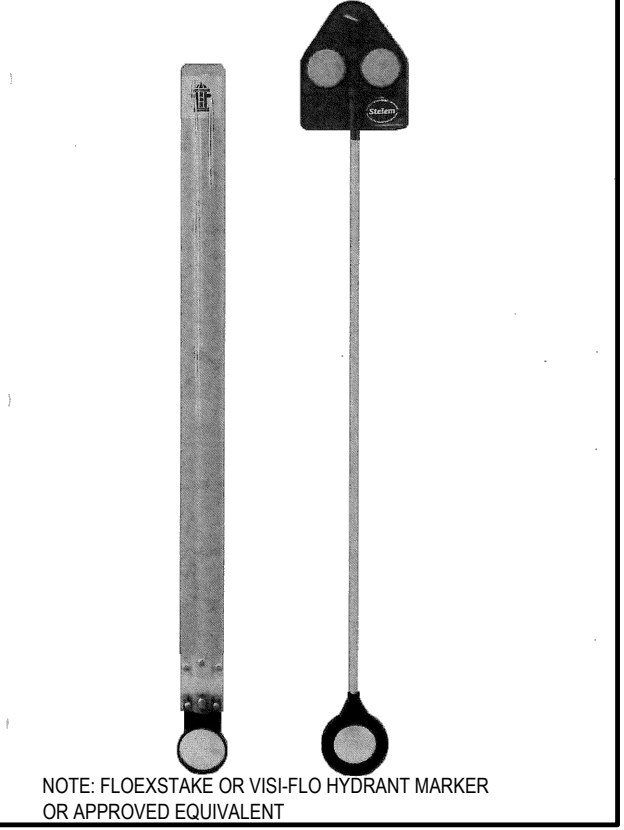
4 GRANULAR STRUCTURE
SCALE: N.T.S.



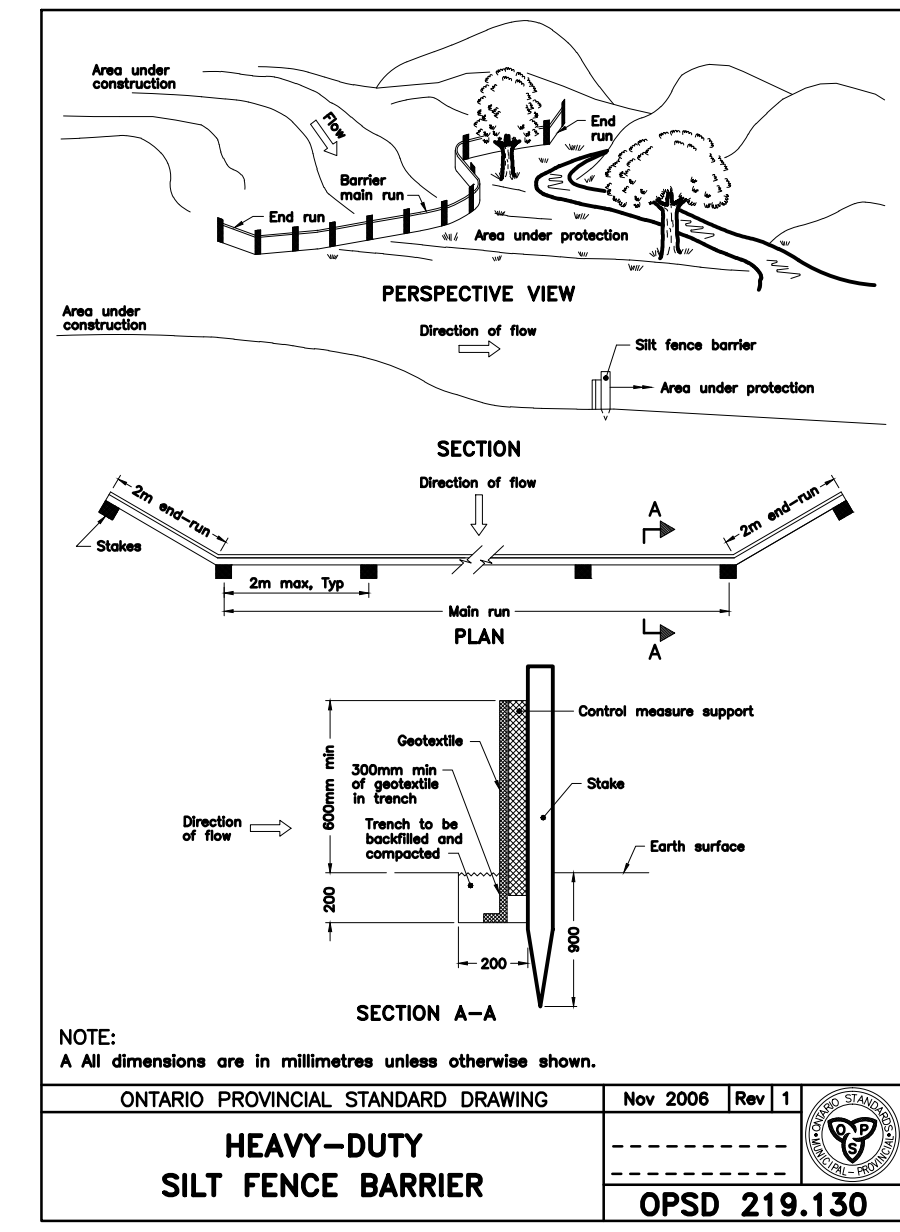
3 ASPHALT DRIVEWAY STRUCTURE
SCALE: N.T.S.



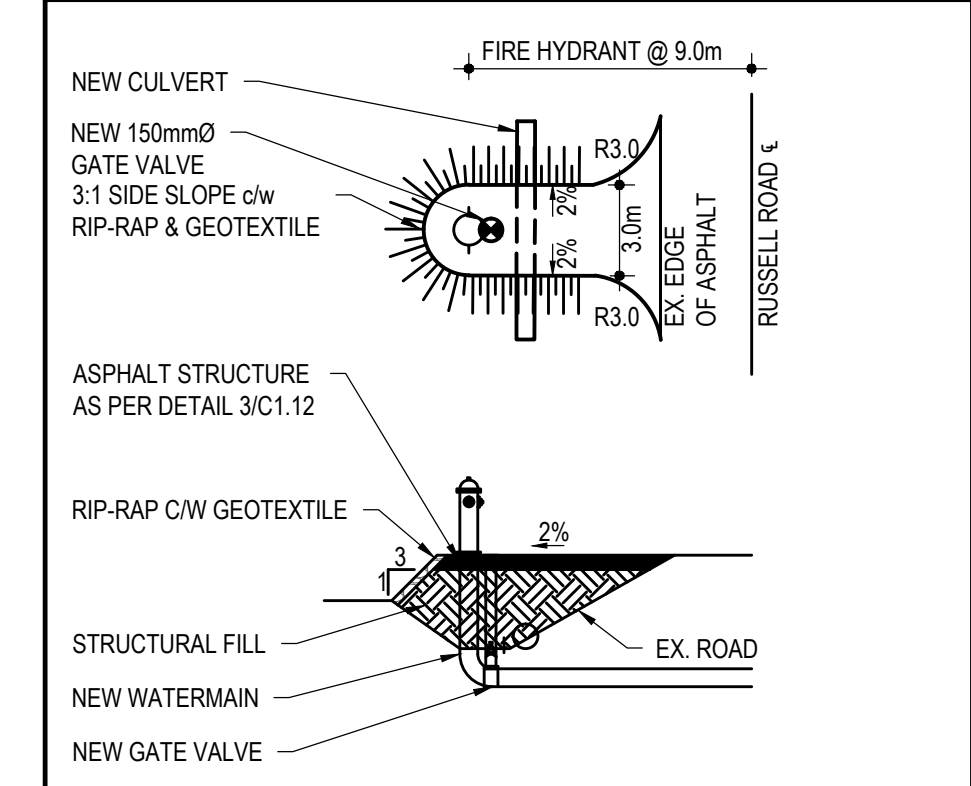
2 TRACER WIRE AND ANODE PLACEMENT FOR WATER SERVICES
SCALE: N.T.S.



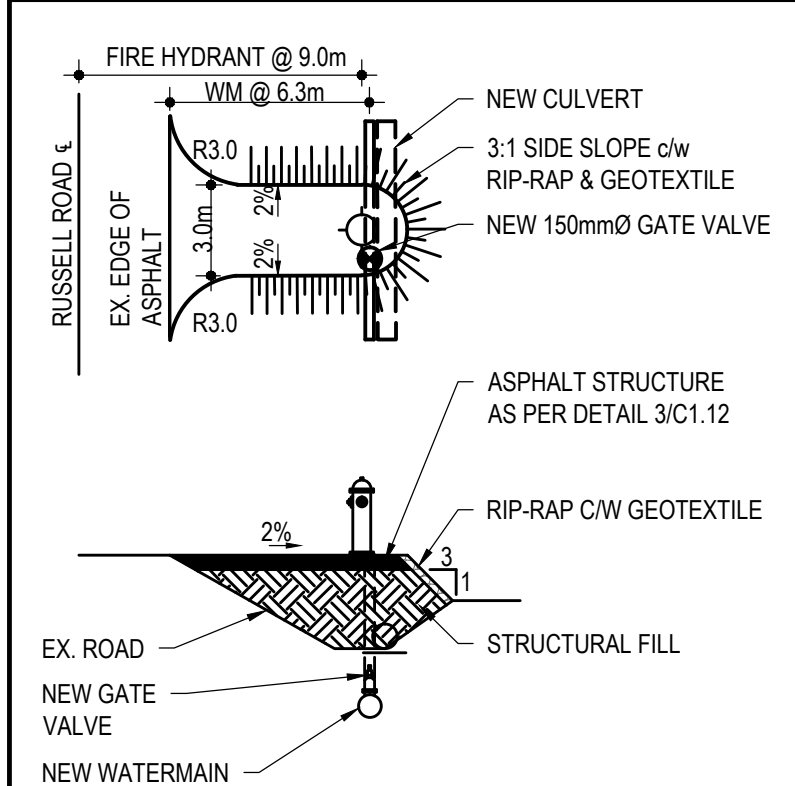
1 HYDRANT MARKER
SCALE: N.T.S.



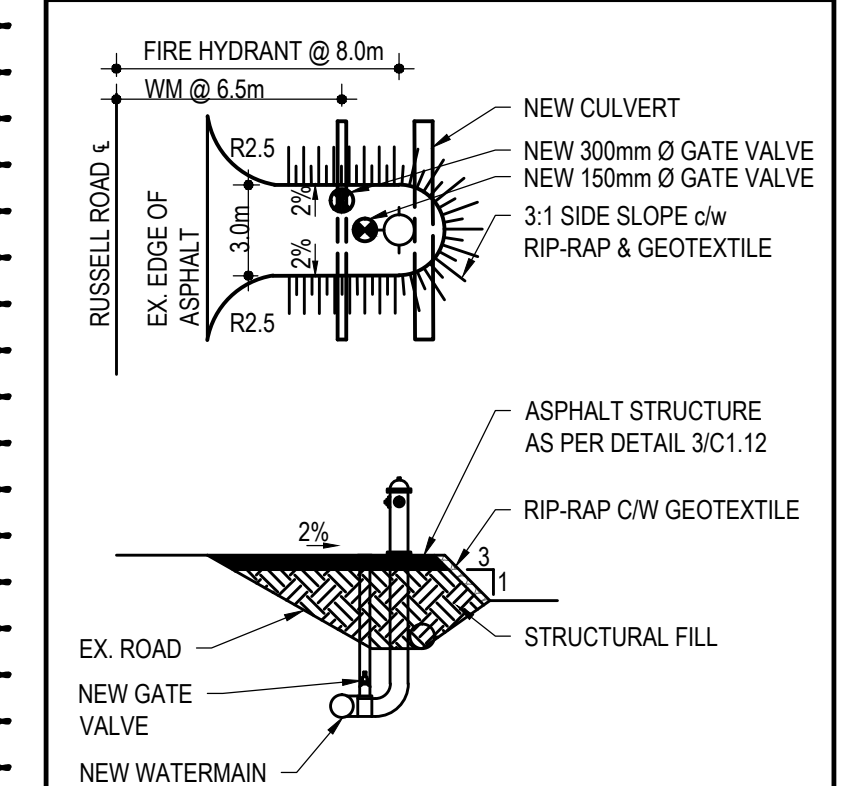
HEAVY-DUTY SILT FENCE BARRIER
OPSD 219.130



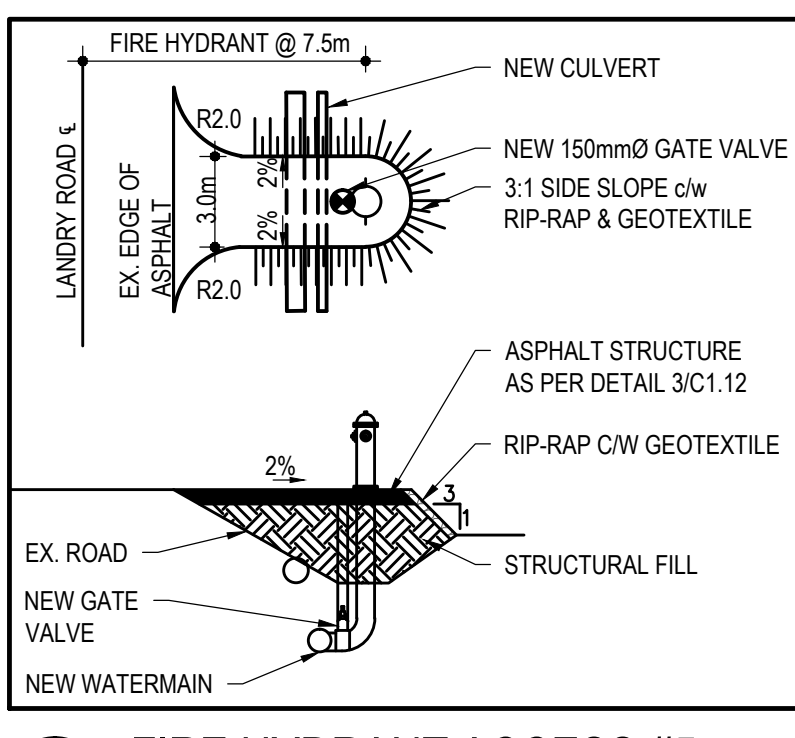
9 FIRE HYDRANT ACCESS #3
SCALE: N.T.S.



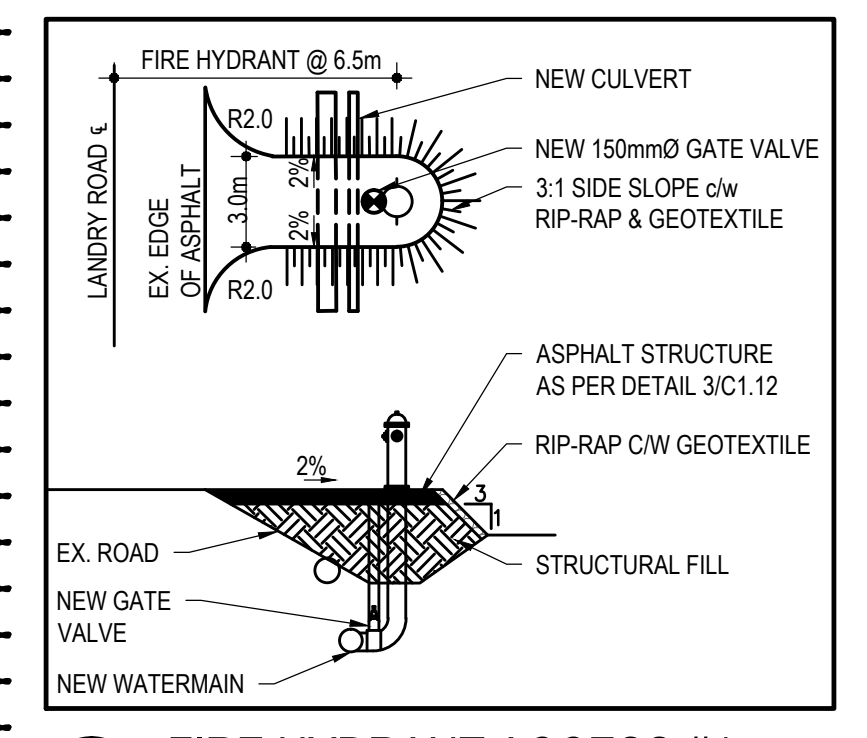
8 FIRE HYDRANT ACCESS #2
SCALE: N.T.S.



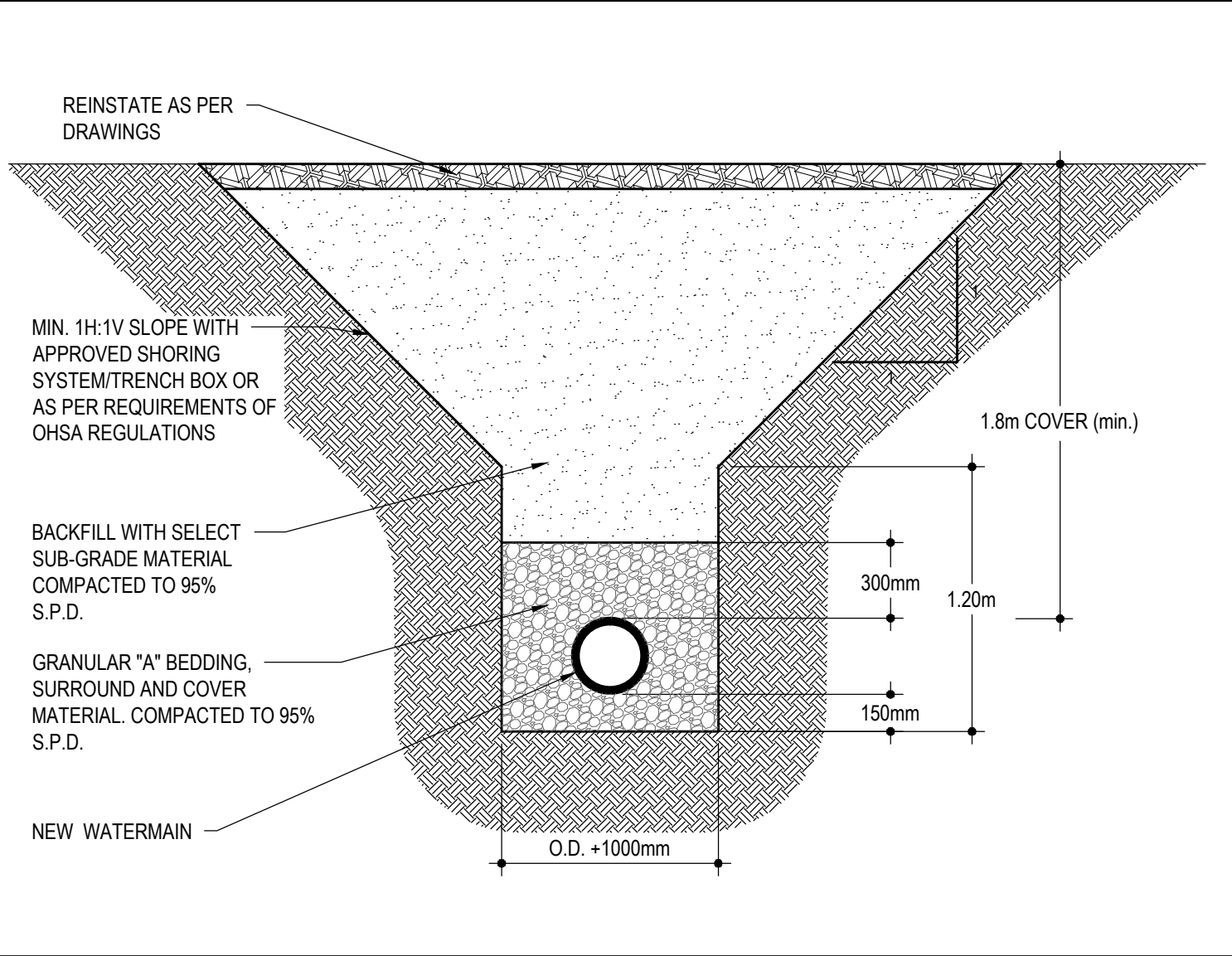
7 FIRE HYDRANT ACCESS #1
SCALE: N.T.S.



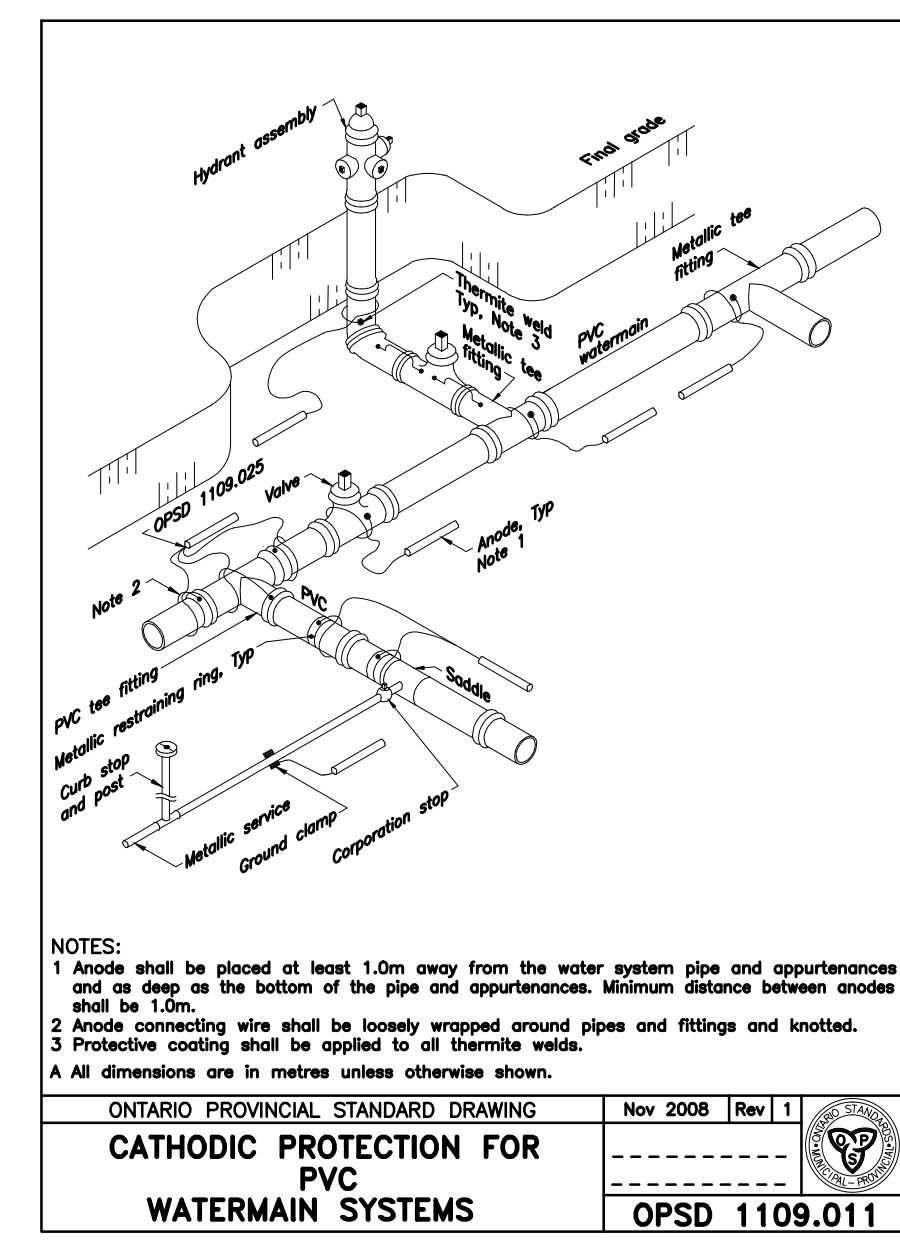
11 FIRE HYDRANT ACCESS #5
SCALE: N.T.S.



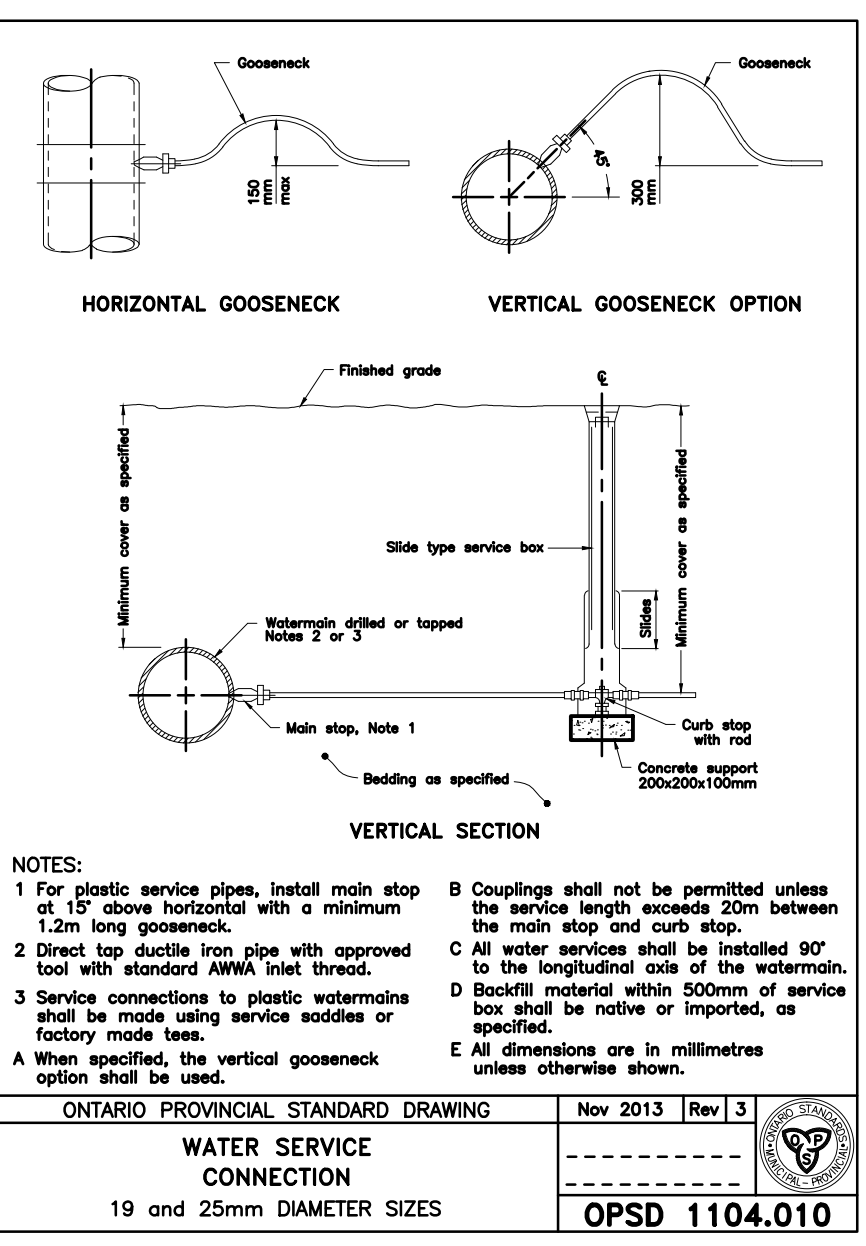
10 FIRE HYDRANT ACCESS #4
SCALE: N.T.S.



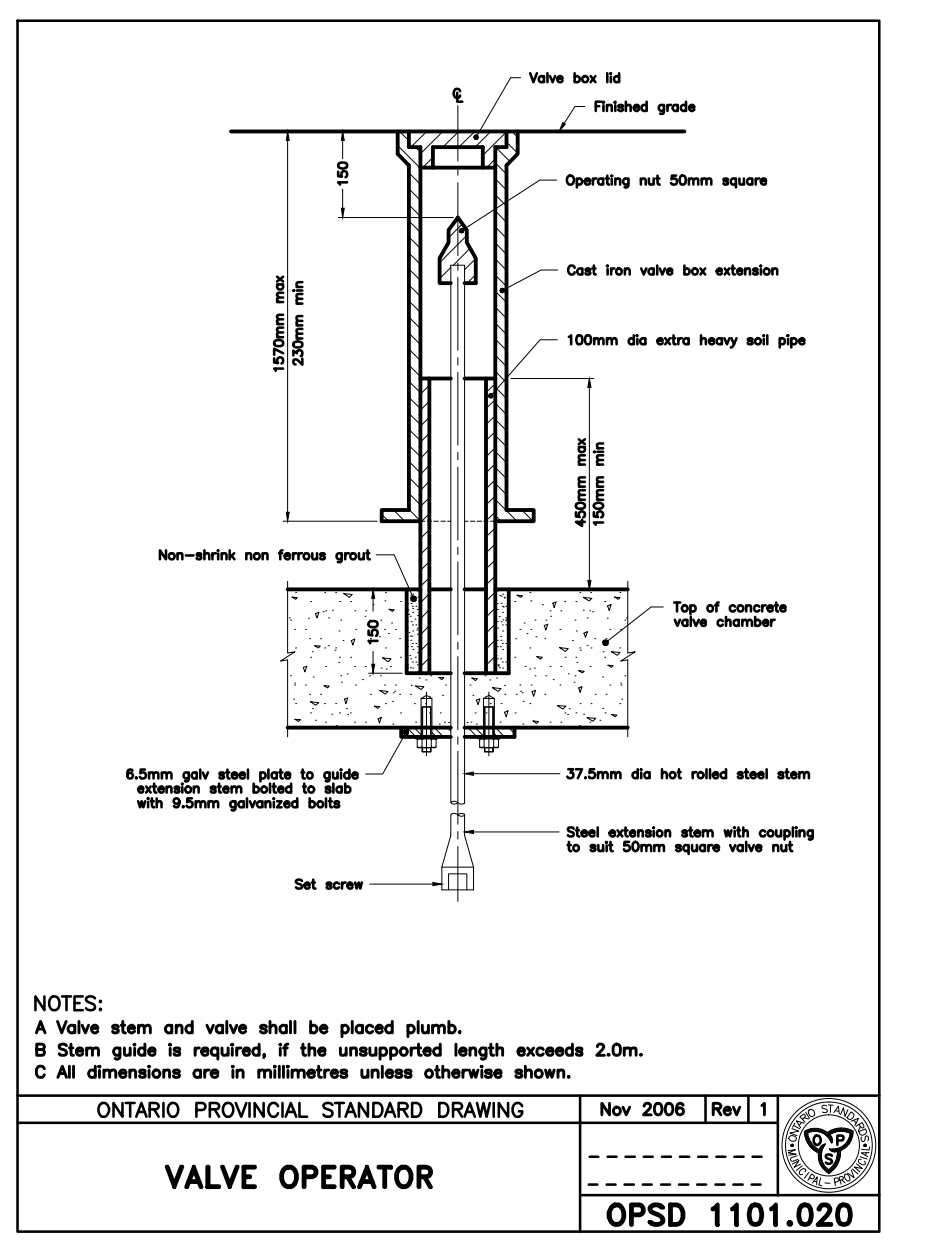
6 TYPICAL TRENCH DETAIL
SCALE: N.T.S.



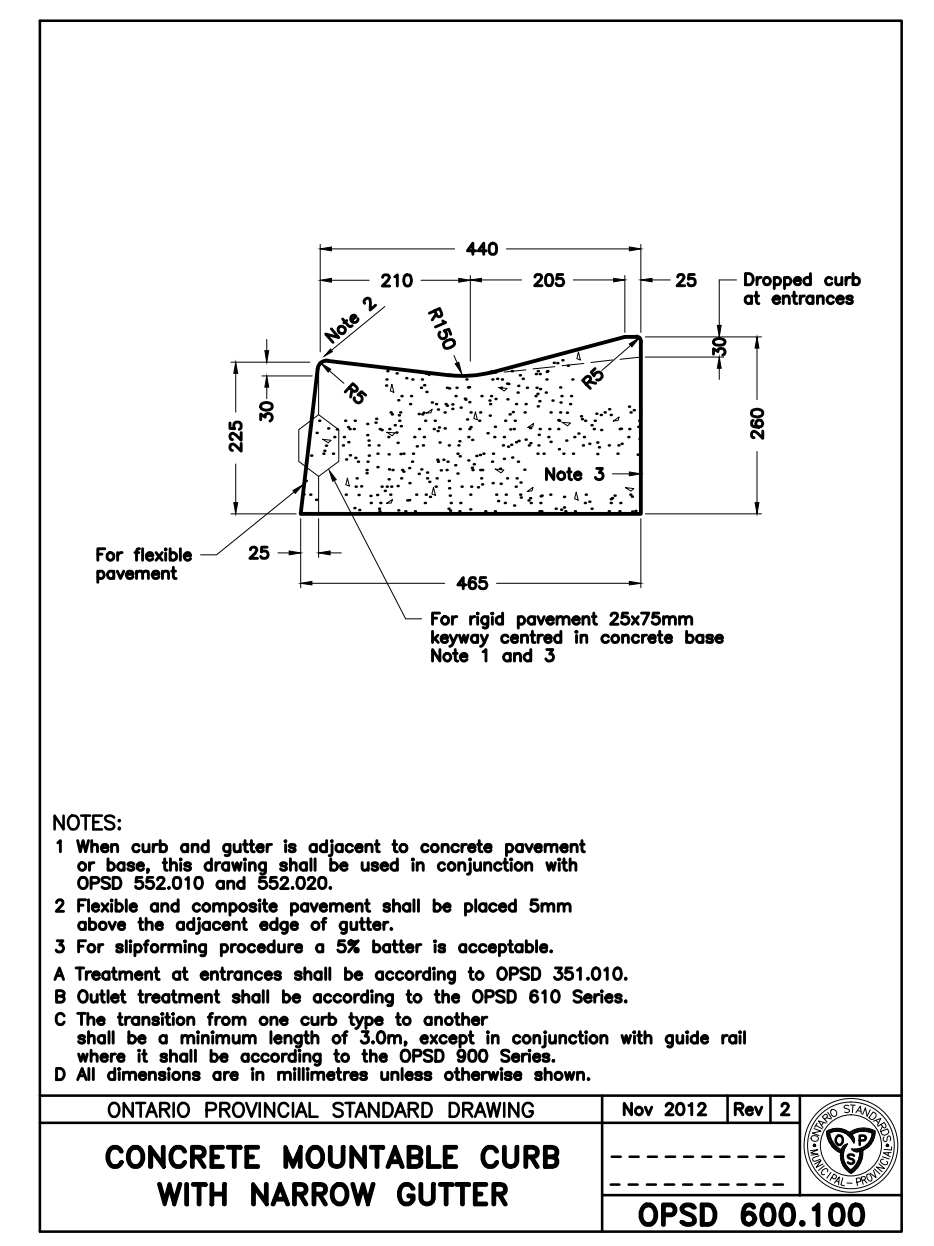
CATHODIC PROTECTION FOR PVC WATERMAIN SYSTEMS
OPSD 1109.011



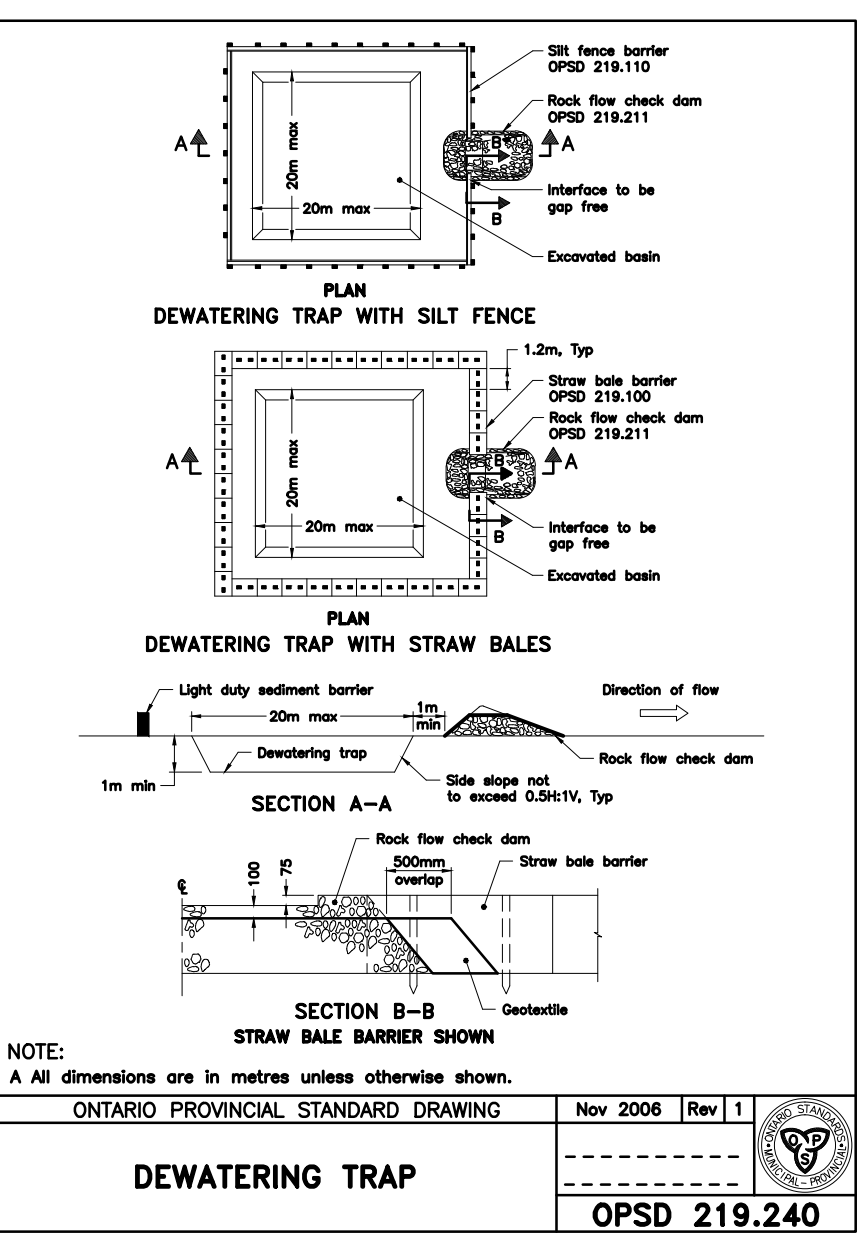
WATER SERVICE CONNECTION
19 and 25mm DIAMETER SIZES
OPSD 1104.010



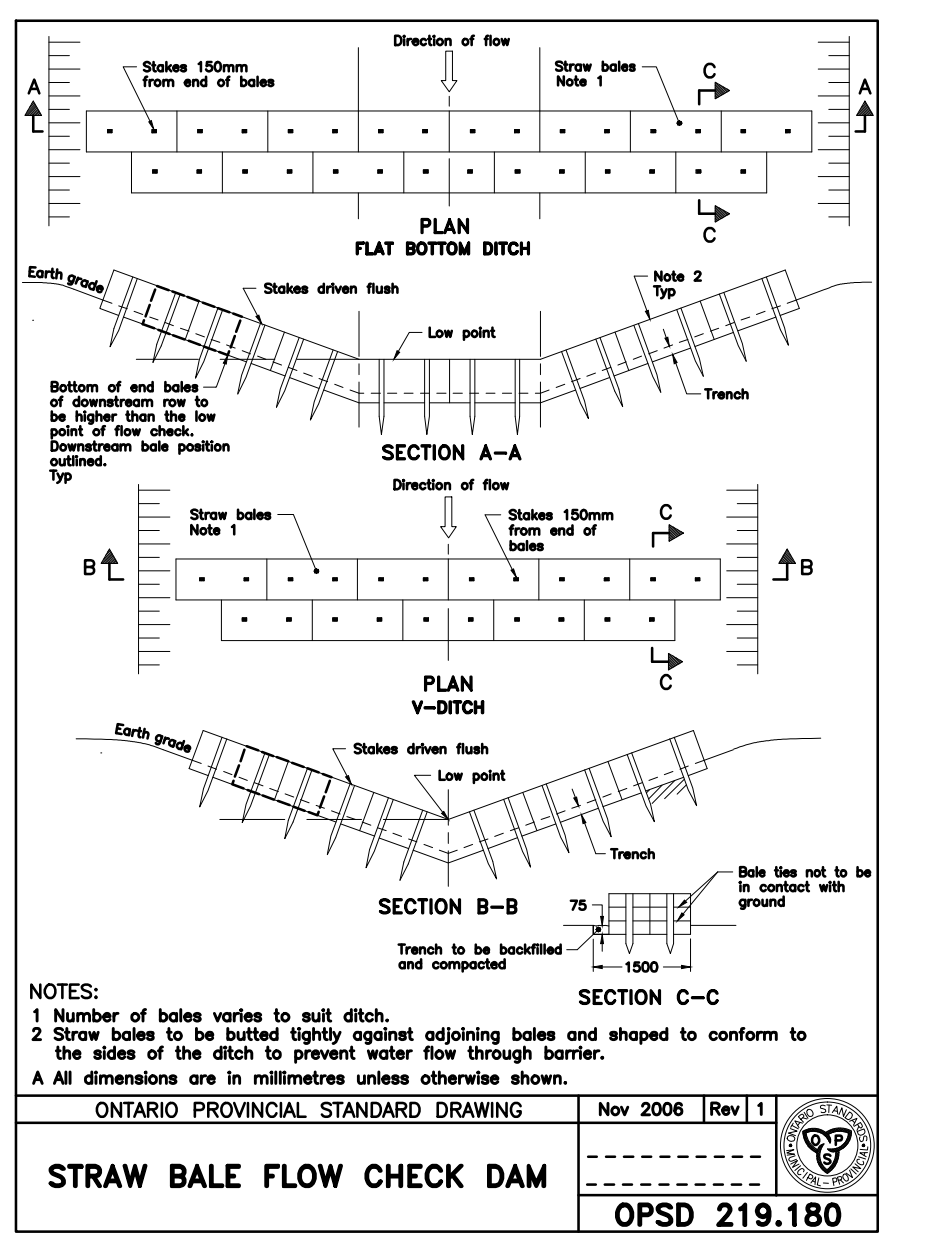
VALVE OPERATOR
OPSD 1101.020



CONCRETE MOUNTABLE CURB WITH NARROW GUTTER
OPSD 600.100



DEWATERING TRAP
OPSD 219.240



STRAW BALE FLOW CHECK DAM
OPSD 219.180